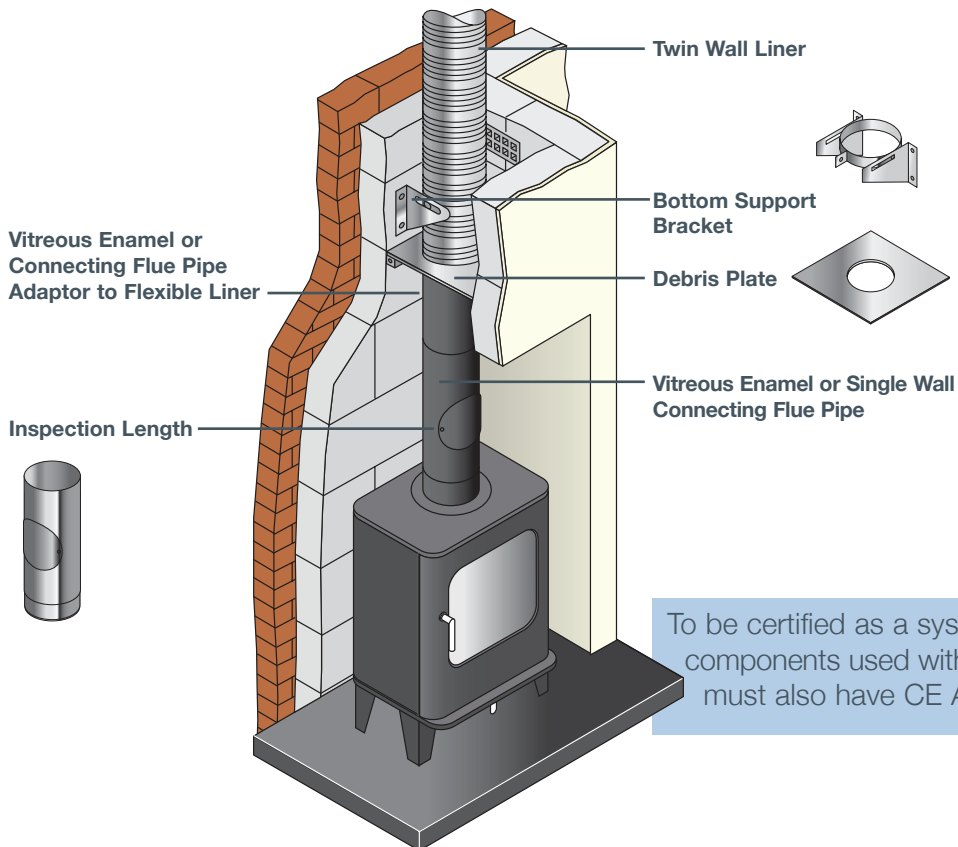
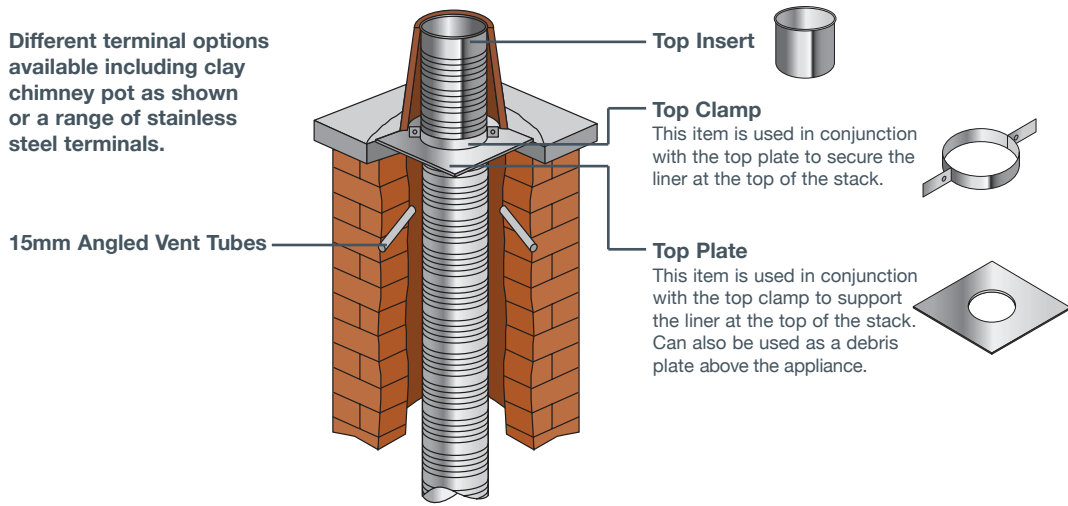


Wood Burning & Multi Fuel Stoves

Existing Chimneys

Relining an existing chimney with twin wall flexible liner



To be certified as a system chimney the components used with the flexible liner must also have CE Approval